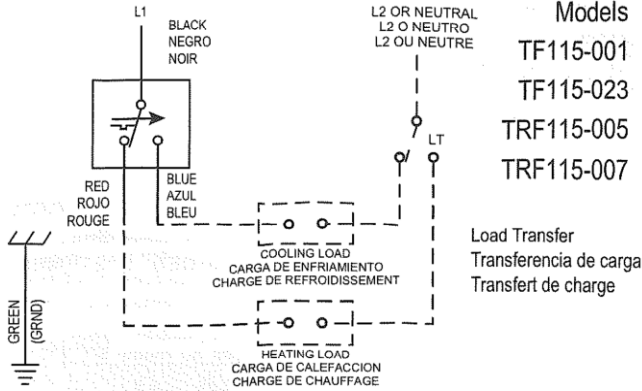
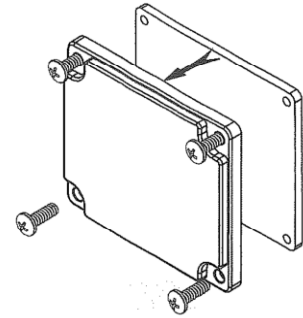


T115 Wiring Diagram



WARNING ADVERTENCIA AVERTISSEMENT

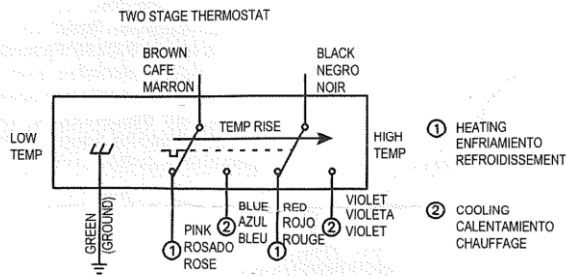
-TO INSURE WATER TIGHTNESS, THE ENCLOSED GASKET MUST BE INSTALLED UNDER THE WIRING CAP.
 -PARA ASEGURAR LA ESTANQUIDAD AL AGUA, LA JUNTA SUMINISTRADA DEBERÁ INSTALARSE DEBAJO DEL CASQUETE DEL ALAMBRADO
 -POUR ASSURER L'ÉTANCHÉITÉ À L'EAU, LE JOINT STATIQUE (FOURNI) DOIT ÊTRE INSTALLÉ SOUS LE CULOT POUR CÂBLAGE.



Gasket Install
 Installation De Joint
 Instalación de la junta

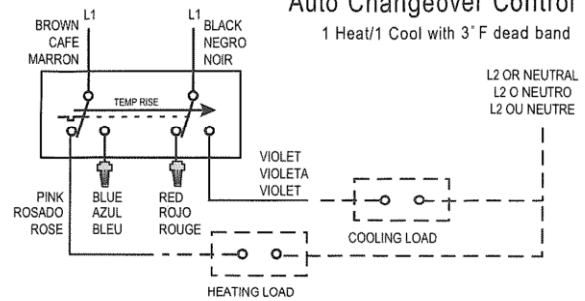
TH109-009 Wiring Diagrams

BASIC WIRING DIAGRAM

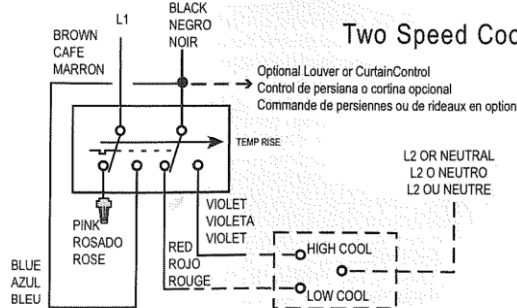


Auto Changeover Control

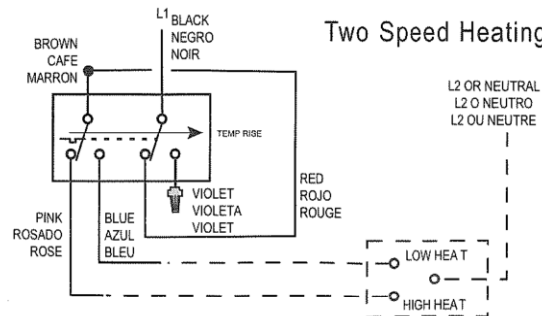
1 Heat/1 Cool with 3° F dead band



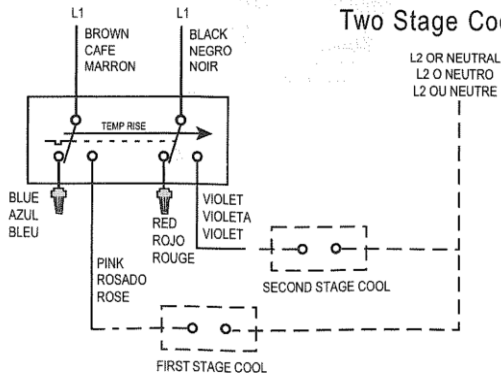
Two Speed Cooling



Two Speed Heating



Two Stage Cooling



Two Stage Heating

